



GAS GRIDDLE

Project Date Models **GCP15, GCP24, GCP36, GCP48** Item# Quantity



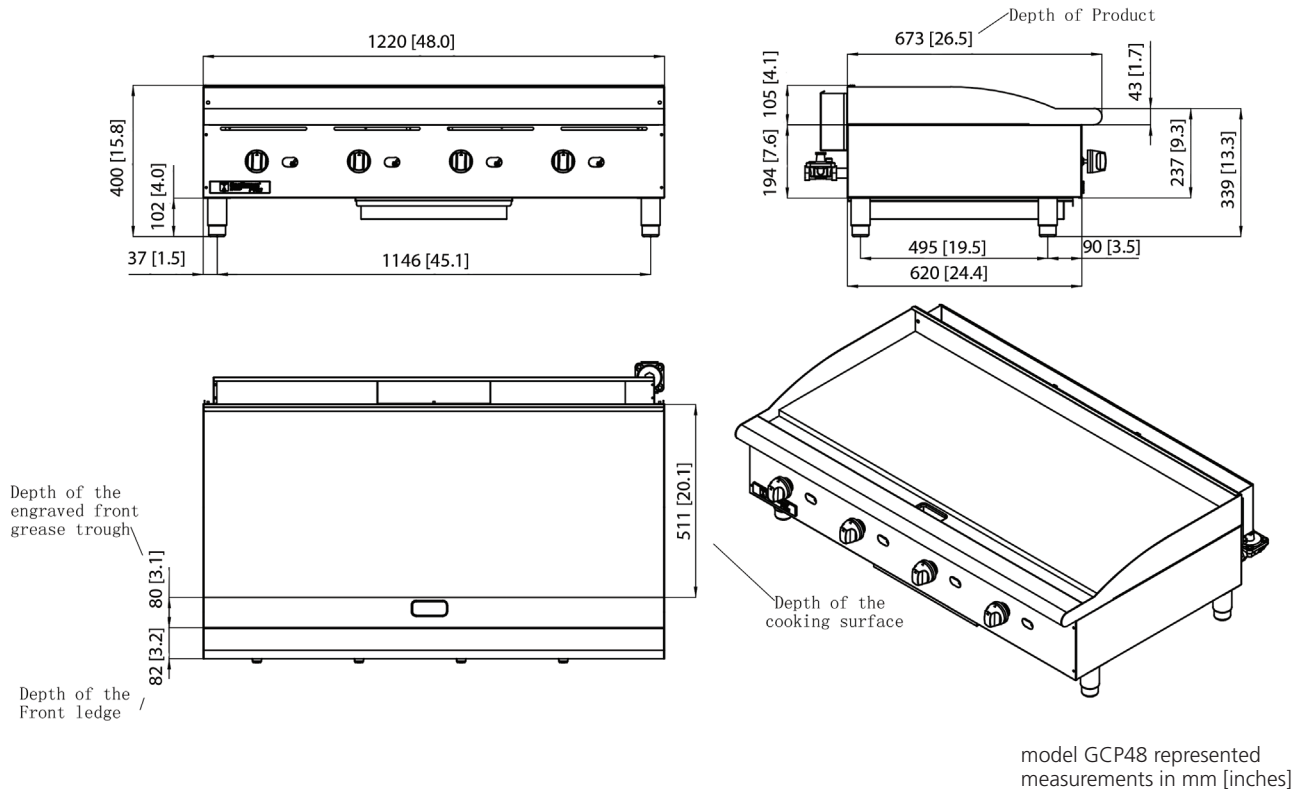
model GCP48

Features

- Sleek, heavy-duty stainless steel construction for long life and easy maintenance.
- All models can be operated using natural or LP gas (conversion kit included).
- Manually controlled, independent cooking zones.
- Countertop units with 20" (50.8cm) depth available in four widths: 15", 24", 36", and 48" (38cm, 61cm, 91cm, 123cm).
- Griddle plate thickness of 1" (2.5cm).
- Bottom-welded plate for accurate heat distribution.
- Stainless steel full-cooking depth dual-ported burners.
- Easy-access front panel pilot adjustments.
- 1¾" (4.4cm) sturdy non-marring stainless steel legs.
- Ergonomically rounded front bullnose.
- Industrial metal knobs.

Models & Dimensions

Gas Griddle



Specifications

Model	Cooking Surface (W x D)	No. of Burners	BTUs per Hour	Product Dimensions (H x W x D)	Ship Dimensions (H x W x D)	Ship Weight
GCP15 (6601-1000)	15" x 20" (37.7 cm x 51 cm)	1	30,000	15.6" x 15" x 30" (39.6 cm x 38.1 cm x 76.2 cm)	19.1" x 18.5" x 32.5" (47 cm x 82.6 cm x 48.5 cm)	165 lbs. (74.8 kg.)
GCP24 (6601-1001)	24" x 20" (60.6 cm x 51 cm)	2	60,000	15.6" x 24" x 30" (39.6 cm x 61 cm x 76.2 cm)	19.1" x 28" x 32.5" (71.1 cm x 82.6 cm x 48.5 cm)	210 lbs. (95.3 kg.)
GCP36 (6601-1002)	36" x 20" (91.1 cm x 51 cm)	3	90,000	15.6" x 36" x 30" (39.6 cm x 91 cm x 76.2 cm)	19.1" x 40" x 32.5" (101.6 cm x 82.6 cm x 48.5 cm)	345 lbs. (156.5 kg.)
GCP48 (6601-1003)	48" x 20" (121.6 cm x 51 cm)	4	120,000	15.6" x 48" x 30" (39.6 cm x 122 cm x 76.2 cm)	18" x 52" x 32.5" (132.1 cm x 82.6 cm x 48.5 cm)	360 lbs. (163.3 kg.)

